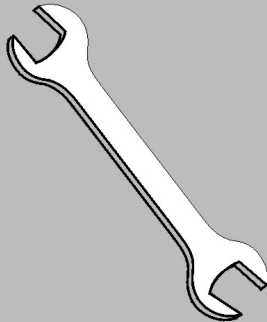


Published Manual Number/ECN: H15 0003/2003332A

- Publishing System: TPAS
- Access date: 08/11/03
- Document ECN's: Latest Available



Kit Instruction— K15 0003



Please Read

About the Manual Identifying Information on the Cover

The front cover displays pertinent identifying information for this manual. Most important, are the published manual number (part number) /ECN (date code). Generally, when a replacement manual is furnished, it will have the same published manual number, but the latest available ECN. This provides the user with the latest information applicable to his machine. Similarly all documents comprising the manual will be the latest available as of the date the manual was printed, **even though older ECN dates for those documents may be listed in the table of contents.**

When communicating with the Milnor factory regarding this manual, please also provide the other identifying information shown on the cover, including the publishing system, access date, and whether the document ECN's are the latest available or exact.

References to Yellow Troubleshooting Pages

This manual may contain references to "yellow pages." Although the pages containing troubleshooting procedures are no longer printed on yellow paper, troubleshooting instructions, if any, will be contained in the easily located "Troubleshooting" chapter or section. See the table of contents.

Trademarks of Pellerin Milnor Corporation

The following, some of which may be used in this manual, are trademarks of Pellerin Milnor Corporation:

Ampsaver [®]	Dye-Extractor [®]	Gear Guardian [®]	Milnet [®]	Staph-Guard [®]
Autolint [®]	Dyextractor [®]	Hands-Off [®]	Milnor [®]	System 4 [®]
Auto-Purge [®]	E-P Express [®]	Hydro-Cushion [®]	Miltrac	System 7 [®]
Autovac	E-P OneTouch [®]	Mildata [®]	Miltron	Totaltrol [®]
CBW [®]	E-P Plus [®]			

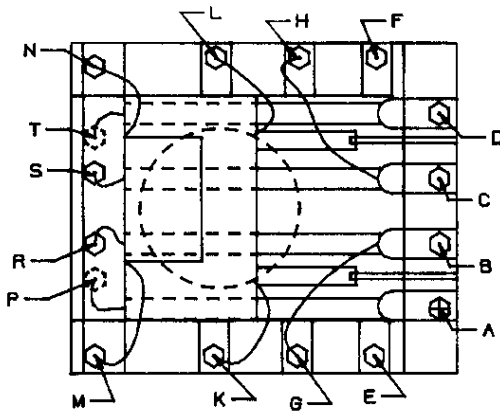
Comments and Suggestions

Help us to improve this manual by sending your comments to:

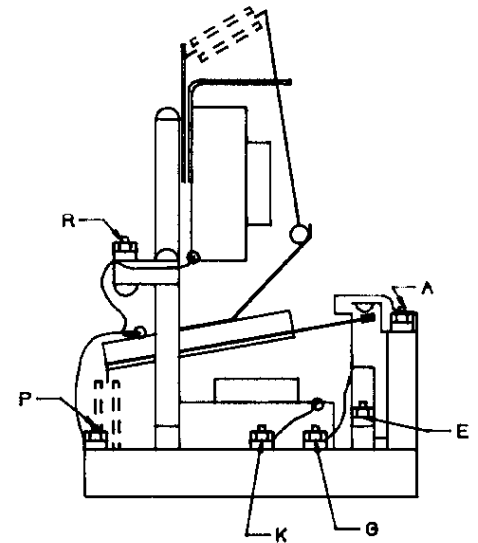
Pellerin Milnor Corporation
Attn: Technical Publications
P. O. Box 400
Kenner, LA 70063-0400

Fax: (504) 469-1849

K & L - 240 V LATCH COIL
M & N - 24 V RELEASE COIL

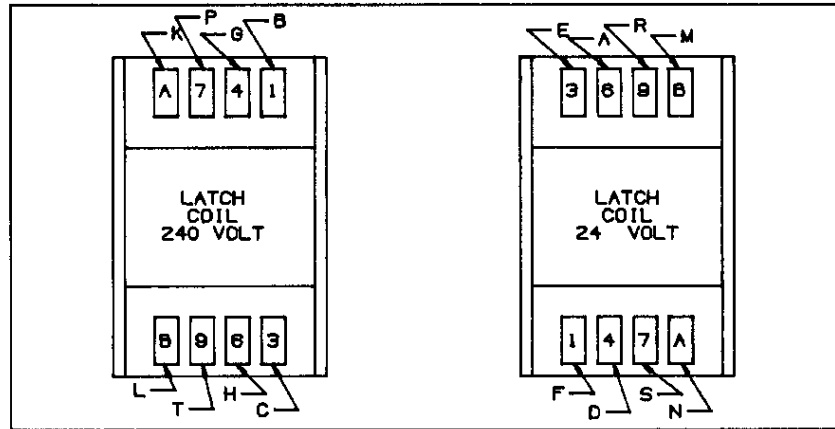


TOP VIEW

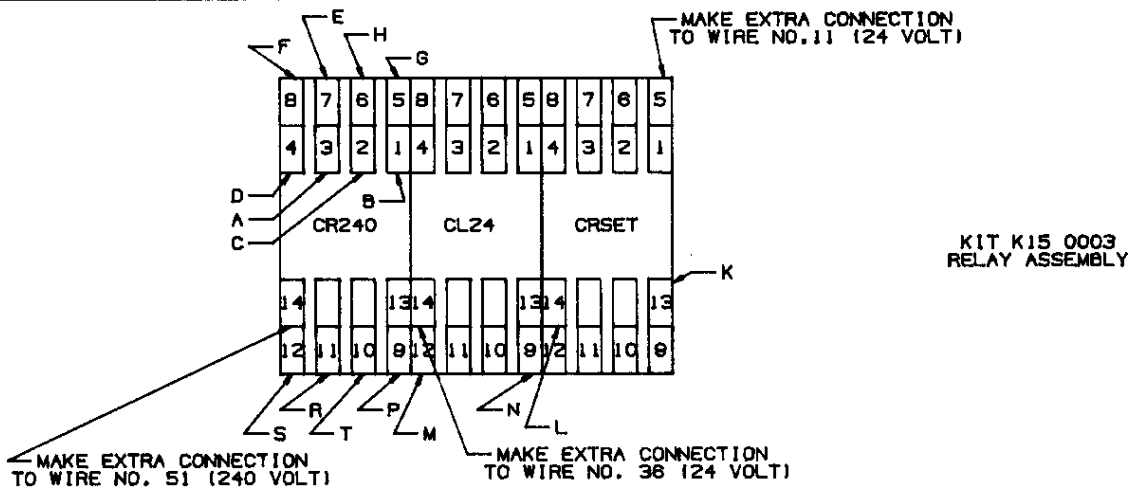


SIDE VIEW

WARD LEONARD LATCHING RELAY
STOCK NO. 09C155 OR 09C158



POTTER BRUMFIELD LATCHING RELAY
AMF-KUB-1048-1, STOCK NO. 09CL00171X



KIT K15 003
RELAY ASSEMBLY

W75041
MODIFICATION WIRING DIAGRAM
FOR CONVERTING FROM WARD LEONARD OR
POTTER & BRUMFIELD LATCH RELAY TO
KIT NO. K15 0003

W75041
92781A